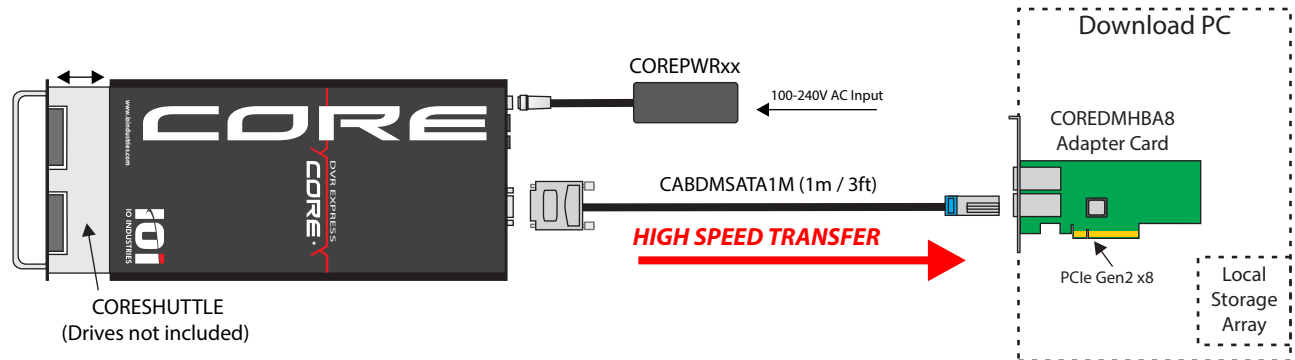


The Core Download Module allows high-speed access to recordings made with a DVR Express Core or Core 2 video recorder. In situations where the recorder is installed in a vehicle or aircraft, the Download Module allows the recordings to be reviewed in their native format at a separate location such as a ground station or processing lab.

After recording video with a Core or Core 2, transfer the removable drive shuttle to the Core Download Module. Then, use either IO Industries CoreView or Streams 7 software to review, archive or export the recordings into common file formats..

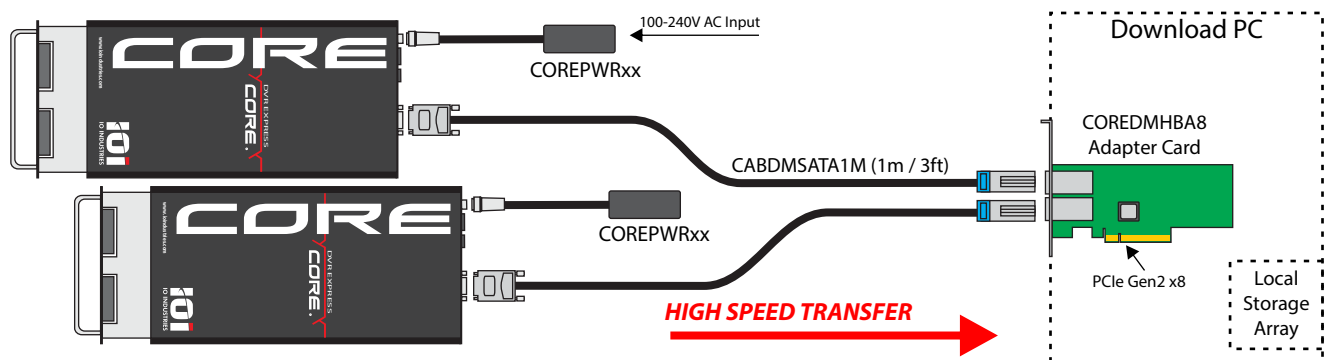
## Download Module Kit for one Core recorder:



Part Number: COREDMKIT4

Includes: 1x DVR Express Core Download Module, 1x CORESHUTTLE (empty), 1x COREPWRxx AC Adapter, 1x CABDMSATA1M cable, 1x COREDMHBA8 adapter card (PCIe Gen2 x8)

## Download Module Kit for two Core recorders:



Part Number: COREDMKIT8

Includes: 2x DVR Express Core Download Module, 2x CORESHUTTLE (empty), 2x COREPWRxx AC Adapter, 2x CABDMSATA1M cables, 1x COREDMHBA8 adapter card (PCIe Gen2 x8)

## SPECIFICATIONS:

### Core Download Module

Dimensions: 320 x 165 x 50 mm (12.6 x 6.5 x 2")  
Weight: Approx. 1.4 kg (3 lbs)  
Power: 14-34V DC, Approx. 14W

### COREDMHBA8

Form Factor: Half Height  
Interface: 8-lane PCI Express 2.0  
Supported OS:  
Windows XP/Vista/7/8.1/10 (32/64-bit)  
Linux: Ubuntu 14.04 LTS (32/64-bit)